
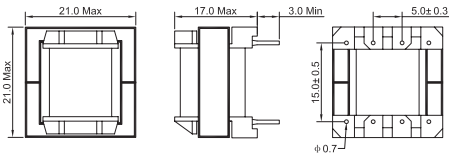
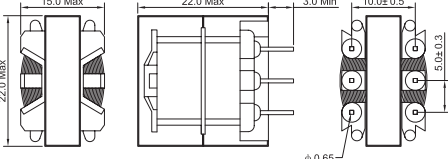


## Switching power transformer / 開關電源變壓器

	<p><b>Core shape: EF-20</b>  <b>Features:</b></p> <ul style="list-style-type: none"> <li>•Low-loss/ High saturation magnetic flux density ferrite</li> <li>•General purpose application</li> <li>•Low-price products</li> <li>•Products meet the safety standards due to the triple insulation wire design</li> <li>•RoHS Compliance</li> </ul>	<p><b>磁芯形狀: EF-20</b>  <b>特性:</b></p> <ul style="list-style-type: none"> <li>•採用低損耗高飽和磁通密度鐵氧體磁芯進行設計。</li> <li>•適用於普通電源</li> <li>•廉價的機種</li> <li>•次級繞組採用三層絕緣線設計，符合安全標準</li> <li>•符合RoHS標準</li> </ul>
<p><b>Shape and external dimension / 機械尺寸mm.</b></p> <div style="display: flex; justify-content: space-around;"> <div data-bbox="277 712 727 869">  </div> <div data-bbox="836 712 1286 869">  </div> </div> <div style="display: flex; justify-content: space-around; margin-top: 10px;"> <div data-bbox="459 909 544 936">Figure 1</div> <div data-bbox="1018 909 1102 936">Figure 2</div> </div>		

## Electronical characteristics / 電氣特性

Core shape 磁芯形狀	EF-20/20/6	EF-20/20/6
Center leg area 磁芯中柱面積 Ae mm <sup>2</sup>	35.6	35.6
Length of magnetic circuit 磁路長度 Le mm	42.2	42.2
Volume 體積 Ve mm <sup>3</sup>	1505	1505
Bobbin type 線架類型	Horizontal/臥式	Vertical/立式
External dimension 外觀尺寸 W*D*H mm	21*21*17	22*15*22
Maximum output 最大輸出功率 VA	35	35
Drawing No. 圖紙號	Figure 1	Figure 2

Note: The design bases on: 1.Forward model 2.PC40 series ferrite 3.Switching frequency: 100 KHz  
 注意: 本設計基于 1.正激式變換器 2.PC40系列鐵氧體 3.開關頻率:100 KHz