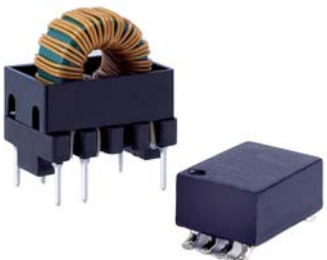
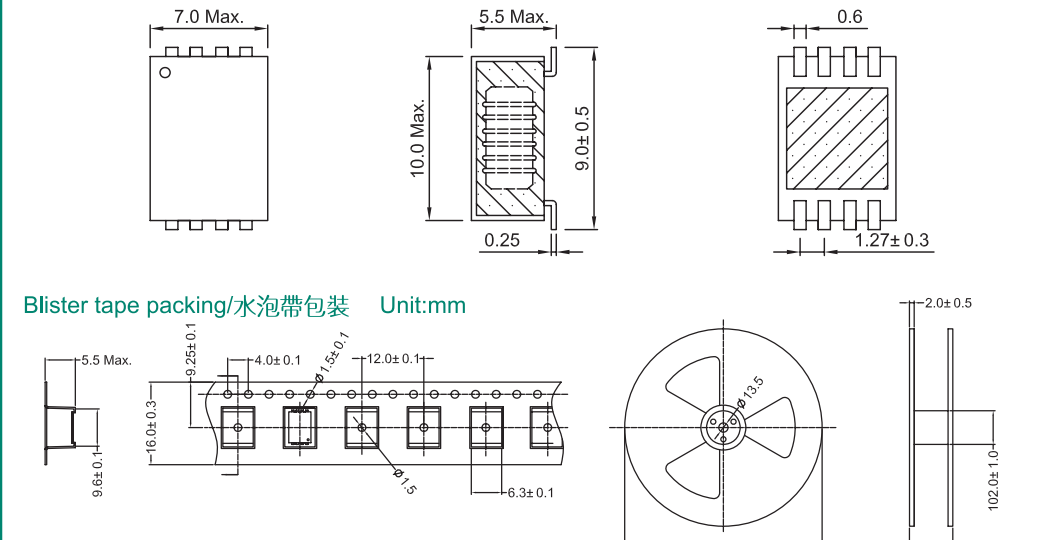


Isolation /Gate drive transformer 隔離（柵極驅動）變壓器

| | | |
|---|--|---|
|  | <p>Core shape: Ring Type</p> <p>Features:</p> <ul style="list-style-type: none"> • Designed for IGBT gate drive circuits • Operating frequency 50KHz-1MHz • High isolation from gate to drive • Designed with toroidal core and completed potting process • Custom design is available • RoHS compliance | <p>磁芯形狀: 環形</p> <p>特性:</p> <ul style="list-style-type: none"> • 專為IGBT柵極驅動電路設計 • 工作頻率: 50KHz~1MHz • 柵極 / 驅動極絕緣隔離度高 • 採用完全灌封工藝及環形鐵芯設計 • 可依照客戶要求設計 • 符合RoHS標準 |
|---|--|---|

Shape and external dimension/機械尺寸mm.

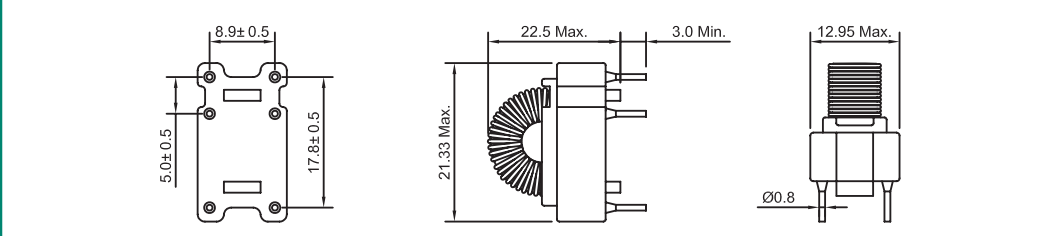


Blister tape packing/水泡帶包裝 Unit:mm

Electronical characteristics/電氣特性

| Model/型號 | Turn ratio Np : Ns | Inductance Pri @1KHz/50mv (uH) | DCR(mΩ) Pri (Max.) | Voltage-time V.us | Isolated Voltage DC (KV) |
|-------------|-----------------------|-----------------------------------|-----------------------|----------------------|-----------------------------|
| GBIO-1:1-ST | 1:1 | 400Min. | 350 | 7 | 0.5 |

Shape and external dimension / 機械尺寸mm.



Electronical characteristics/電氣特性

| Model/型號 | Turn ratio Drive: Gate:Gate | Inductance Drive @1KHz/50mv (uH) | DCR(mΩ) Drive (Max.) | Voltage-time V.us | Isolated Voltage DC (KV) |
|---------------|--------------------------------|-------------------------------------|-------------------------|----------------------|-----------------------------|
| GBIO-1:1:1-PT | 1:1:1 | 450Min. | 96 | 95 | 3.0 |
| GBIO-1:1:1-PT | 1:1:1 | 650Min. | 852 | 115 | 3.0 |